

Robert Bosch (Australia) Pty. Ltd.

1555 Centre Road

Clayton Victoria 3168

P (03) 9541 5555

F (03) 9541 5595

Sales Hotline: 1300 30 70 37

Sales Fax: 1300 30 70 38

www.bosch.com.au/hotwater

Printed in Australia Whilst every care has been taken in the preparation of this publication, Bosch does not warrant the accuracy or completeness of the information in this publication and Bosch reserves the right to alter specifications without notice. To the extent permitted by law, Bosch excludes all liability, including negligence, for any loss incurred in reliance on the contents of this publication. Printed April 2010.



BOSCH

Invented for life

Domestic Gas Hot Water Systems





Bosch. **Delivering Peace of Mind**

Bosch Story

Bosch have been delivering hot water to Australian and New Zealand households for over 50 years. Pioneering continuous flow water heating in the late 1800's, Bosch have secured a name synonymous with quality and innovation that continues to drive the company today.

The Bosch mission is to deliver the most reliable and efficient hot water appliances to fit the lifestyles of today's modern households. As a result, Bosch now offers the largest range of continuous flow gas hot water systems on the market.

Quality Statement. The Robert Bosch promise of quality is the foundation of our business. All Bosch hot water systems are manufactured to the highest possible standards, using premium quality materials.

Bosch understands the importance of continually improving design, engineering, and manufacturing processes to ensure that customers only receive state of the art hot water systems. All Bosch hot water systems are quality tested before they leave the factory, further strengthening customer's peace of mind.

Contents

	All You Need to Know	12	External HydroPower
4	Continuous Flow Hot Water	14	Internal Compact
5	New Homes and Renovations	15	Pilot Ignition
	The Bosch Product Range	16	Large Homes
6	Electronic Highflow	17	Large Home Accessories
8	Temperature Controllers	18	Accessories
10	Condensing Technology		Helpful Information
		19	Selection Guide
		19	Service & Warranty Information



Bosch Continuous Flow Hot Water



Bosch water heaters are amongst the most economical appliances on the market today, boasting high energy efficiency ratings. Due to their excellence in energy efficiency, Bosch water heaters provide considerable savings on running costs today and help preserve the environment for tomorrow.

Traditionally, storage tanks have been the hot water system of choice for many Australian homes. However, Bosch is now changing the way households have hot water delivered by offering the largest range of continuous flow hot water systems on the market.

Continuous flow hot water systems offer an efficient alternative to traditional gas and electric storage units. Whether you're renovating, building a new home, or replacing your existing hot water system, Bosch has a gas continuous flow water heater to suit your hot water needs.

Bosch continuous flow systems only heat the water you need, so you will never run out of hot water. That means that the entire household can shower consecutively without anybody enduring a cold shower!

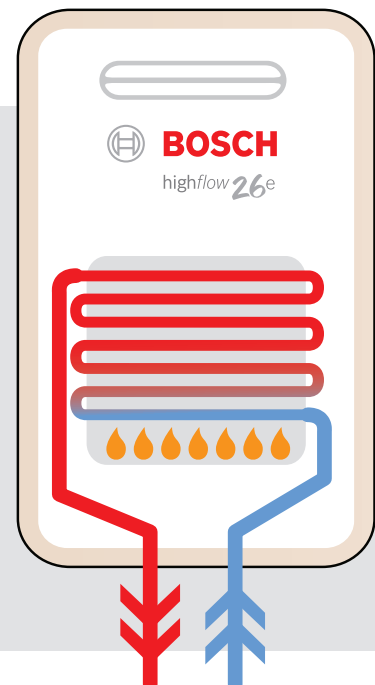
Continuous flow hot water systems are more compact in size than traditional storage hot water units. This allows them to be easily mounted outside, or alternatively, the internal systems can be conveniently installed in a cupboard (flueing required).

Electronic continuous flow systems can also provide you with a precise temperature adjustment feature through the use of a temperature controller.

What this means for you:

- > Heat water only as required
- > Never run out of hot water
- > Save money on gas bills and reduce greenhouse gas emissions
- > Space-saving, compact design
- > Precise temperature control* giving parents added peace of mind for their children's safety
- > Extensive range of accessories to add to the appearance of your home

*Only on the Bosch Highflow range (17e, 21e & 26e), 26^{eco+} and 32 Series models



Bosch New Home & Renovations

> How many bathrooms does your home have?

Bosch continuous flow gas hot water systems provide hot water at the turn of a tap. However, we recognise that there are times where heavy usage occurs. For example, in busy morning times, there may be more than one shower operating at the same time. It is important to select a hot water unit with a capacity to suit your household's needs. A two or three bathroom home will require a larger system, such as a Bosch 26e.

> What type of shower head is installed?

To comply with government legislation in most states and territories, new homes must have a minimum 3 star (AAA) 9 litre/minute shower head installed. If your home has a single 9 litre/minute shower head installed, a Bosch 17e or 21e may be suitable. For 2-3 bathroom homes in colder climates, Bosch recommend a larger hot water system, such as a Bosch 26e.

> Is there a spa bath* or large bath installed in the home?

Bosch recommends the 26e or 32 litre unit be installed in homes with a spa bath* or large bath in order to manage the larger volume of hot water required to fill the baths.

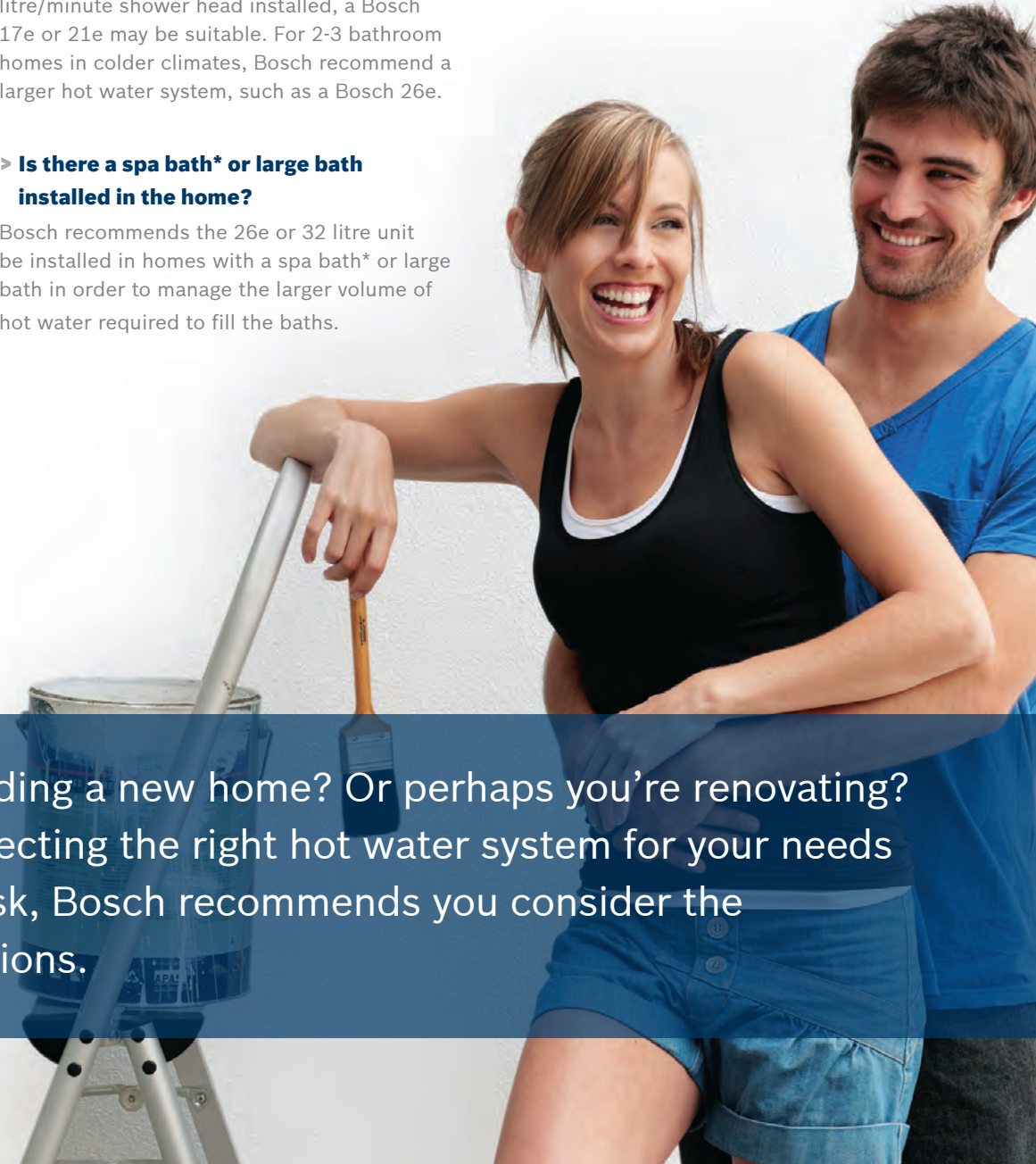
> What is the distance to the bathroom and other hot water outlets in the home?

It is most efficient to have the hot water system installed in a location closer to the outlets used most frequently such as the shower or kitchen. This helps to reduce the time it takes for the hot water to reach the outlets.

> Other Accessories

When installing an Electronic High/low system into your new home some accessories to consider include a lockable recess box or pipe cover. For further information on the Bosch Accessories range please refer to page 18.

*These hot water systems must not be used as a dedicated spa heater.



Are you building a new home? Or perhaps you're renovating? To make selecting the right hot water system for your needs an easier task, Bosch recommends you consider the above questions.

Bosch Electronic Highflow



The Electronic Highflow range lets you enjoy the convenience of water heating with uncompromised quality, higher capacities and even more temperature controllers.

The most effective way to use your Highflow appliance is with a temperature controller. Safety and simplicity are the hallmarks of Bosch temperature controllers.

Bosch Electronic Highflow units are compact, space-saving and easy to install. This range is specifically designed for maximum energy efficiency and environmental protection, providing a minimum of 5.5+ star performance rating. With a Bosch Highflow you are assured continuous hot water, while saving money and caring for the environment.

Highflow systems are available in 17, 21 and 26 litre per minute flow rates and are available in Natural or LP gas.

Range includes:

- > High energy efficiency star ratings
- > Up to 4 optional temperature controllers
- > Antifrost feature as standard

*Model is not solar compatible.

Features & Benefits:

- > 5.5+ star energy efficiency
- > Continuous flow technology
- > Compact design
- > All new Highflow models are capable of utilising up to 4 optional temperature controllers
- > Suitable for 1-3 bathroom homes
- > 50°C limited models available
- > Antifrost as standard on all models
- > External installation only
- > The 21e Highflow model (YS2170RAH) is solar compatible without the need for a solar transfer valve
- > 3 year parts and labour and 10 year heat exchanger warranty (part only)

Specifications

	Model		
	Bosch 17e	Bosch 21e	Bosch 26e
Part Number	YS1770RA	YS2170RAH	YS2670RA
Installation	External	External	External
Ignition	Electronic	Electronic	Electronic
L/min (25°C rise)	17	21	26
No. of bathrooms	1	1-2	2-3
Min. operating inlet water pressure (kPa)	100	100	100
Max. inlet water pressure (kPa)	1000	1000	1000
Mj/H	135	170	200
Star Rating	5.66	5.56	5.53
Min. Flow (L/Min)	2.5	2.5	2.5
Min. constant water pressure for Max. flow (kPa)	100	130	230
Antifrost	Standard	Standard	Standard
Transfer valve required for solar	Yes	No	Yes
50°C Limited Part Number	YS1770RA5	YS2170RA5*	YS2670RA5
Gas Type	NG/LPG	NG/LPG	NG/LPG
Electrical Supply	230 VAC - 240V 50 Hz (10amp weatherproof power point required within 500 mm of the unit)		
Temperature Controllers	Up to 4 temperature controllers can be installed		
Unit Height (mm)	520	520	600
Unit Width (mm)	350	350	350
Unit Depth (mm)	170	170	170
Carton Weight (Kg)	18	19	22
Domestic Warranty			
Parts and Labour	3 Years	3 Years	3 Years
Heat Exchanger (part only)	10 Years	10 Years	10 Years
Pipe Connection Size			
Natural gas (NG)	20 mm (3/4")	20 mm (3/4")	20 mm (3/4")
LP gas	20 mm (3/4")	20 mm (3/4")	20 mm (3/4")
Cold Water	20 mm (3/4")	20 mm (3/4")	20 mm (3/4")
Hot Water	20 mm (3/4")	20 mm (3/4")	20 mm (3/4")

Bosch **Electronic Highflow**



Bosch 17e



Bosch 21e



Bosch 26e

Bosch Temperature Controllers



Peace of mind – Precise temperature control means you can select a safe temperature for your children's bath. This will maximise safety and will allow you to shower or bathe at your ideal temperature[^].

Bosch Temperature Controllers



Bosch recognise that water is one of our most important resources. The Bosch Highflow range, and the 26^{eco+} appliance* when equipped with temperature controllers, can help conserve water through the use of the Water Saver function.

Bosch Highflow models and the 26^{eco+} appliance* now enable you to install up to 4 optional controllers. This allows precise control of water temperature^ in the kitchen, bathroom, en suite and laundry.

What are the benefits of installing temperature controllers?

The installation of Bosch temperature controllers has many practical features.

- > **Easy to use** – No need to mix hot and cold water. Simply select the temperature you desire and turn on the hot water tap.
- > **Environmentally friendly** – With water restrictions currently in place in most regions, the Water Saver function gives you peace of mind by limiting the duration of showers.
- > **Consistent delivery** – Eliminates the hot and cold fluctuations caused when someone else in the house uses another tap or flushes the toilet.

Bosch Standard and Premium controllers cannot be used in combination. For example a Premium main controller cannot be used with a Standard bathroom controller. Sub controllers can be used in combination with either the Premium or Standard range of controllers.

* Bosch recommends installing at least one Premium controller with the 26^{eco+} to ensure maximum performance of the appliance.

^ Subject to inlet water temperature.

Features & Benefits:

- > No need to mix hot and cold water. Simply select the temperature you desire and turn on the hot water tap.
- > Main controller can be set to the maximum temperature of the unit.
- > Bathroom controller has a maximum temperature of 50°C for safety.
- > Volume setting - user can specify the output of water in litres.
- > Assistance Call button allows the user to signal other household members via an audible alarm.
- > Water Saver / Bath Fill function - an audible alarm will sound (Premium and Standard controllers) and water flow will stop when the predefined volume is reached (Premium controller only).
- > Bosch controllers come with a comprehensive 3 years parts and labour warranty.

Premium Controllers (Main & Bathroom)



YPRM67XB



YPRS67XB

- > In addition to all the benefits of the Standard controller, the Premium controllers will automatically stop the water flow at a predefined volume and has a time display for convenience.

Standard Controllers (Main & Bathroom)



YPRM66XB



YPRS66XB

- > Bosch Standard controllers are suitable for all electronic Highflow systems (17, 21 & 26 litre models).

Sub Controller



YPRP62XB

- > Acts as the third or fourth controller to either the Standard or Premium range of controllers.

The sub controller features include:

- > Temperature control
- > Assistance call button

Bosch Condensing Technology



For generations, Bosch has been dedicated to providing quality products that protect the environment and conserve resources. As a result, Bosch introduced a 6.9 star gas hot water system for the Australian market - the 26^{eco+}.



Bosch 26^{eco+}

The Bosch 26^{eco+} gas hot water system is a high-efficiency, fully-condensing appliance.

For even greater efficiency and water saving control, the Bosch 26^{eco+} can be teamed with up to 4 temperature controllers (Premium and Sub Controllers only). Please refer to pages 8 and 9 for more information.

Bosch also offer a Commercial Condensing appliance (the Bosch 32C). Please refer to the Bosch Commercial Brochure for more information on this product.

Features & Benefits:

- > Condensing technology
- > 6.9 star energy efficiency rating
- > 26 litre per minute flow rate
- > Secondary heat exchanger for maximum efficiency
- > Neutraliser for non-acidic condensate
- > Option of installing up to 4 temperature controllers
- > Ideal for 2 - 3 bathroom homes
- > Available in Natural or LP Gas

Bosch 26^{eco+} Lockable Recess Box (RBBC26L)



When installing a Bosch 26^{eco+} appliance, the Bosch lockable 26^{eco+} recess box allows the unit to be semi-recessed, saving space and securing your investment. The lockable recess box can also be painted to suit the appearance of your home.

Brick opening dimensions* (mm) RBBC26L

Height - 930
Width - 345
Depth - 160

*Minimum dimensions

Specifications

	Model
	BC2600RA
Installation	External
Ignition	Electronic
L/min (25°C rise)	26
No. of bathrooms	2-3
Min. operating inlet water pressure (kPa)	200
Max. inlet water pressure (kPa)	1000
Mj/H	178 MJ/hr
Star Rating	6.9
Min. Flow (L/Min)	2.5
Min. constant water pressure for Max flow (kPa)	200
Antifrost	Standard
Gas Type	NG/LPG
Electrical Supply	230 - 240 VAC 50 Hz (10amp weatherproof power point required within 500mm of the unit)
Temperature Controller	Up to 4 temperature controllers can be installed (Premium & Sub Controllers only)
Unit Height x Width x Depth (mm)	600 x 350 x 260
Carton Weight (kg)	32
Domestic Warranty	
Parts & Labour	3 Years
Heat Exchanger (part only)	10 Years
Pipe Connection Sizes	
Natural Gas	20mm (3/4")
LP Gas	20mm (3/4")
Cold Water	20mm (3/4")
Hot Water	20mm (3/4")
Condensate Drain	15mm (1/2")

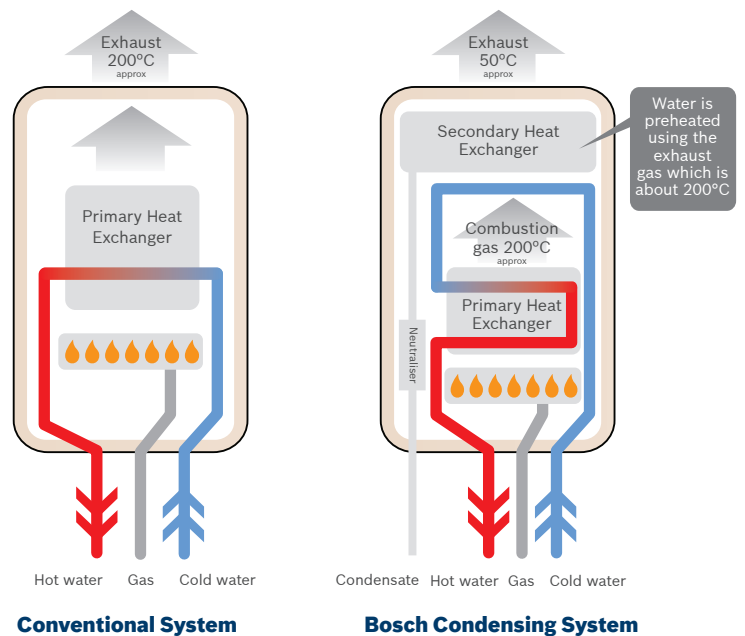
Bosch Condensing Technology



The combination of a 6.9 star rating, temperature control and condensing technology makes the Bosch 26^{eco+} a smart choice for Australian families.

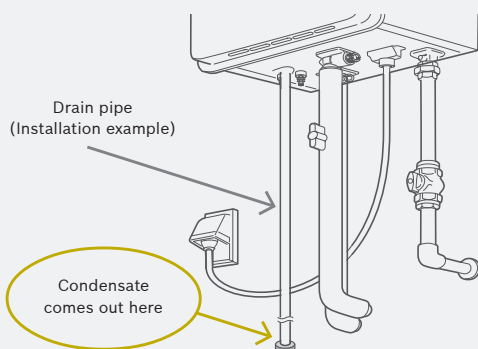
How Does Condensing Technology Work?

Unlike traditional hot water systems, a condensing unit captures heat from the exhaust gas and uses it to preheat the incoming cold water, making the 26^{eco+} one of the most energy efficient gas hot water systems on the market!



Neutraliser

When heat from the exhaust gas is collected within the secondary heat exchanger, condensation occurs from moisture in the exhaust gas, and the resulting water is discharged from the drain pipe. The Bosch 26^{eco+} has an in-built neutraliser to ensure any condensate released is environmentally friendly.

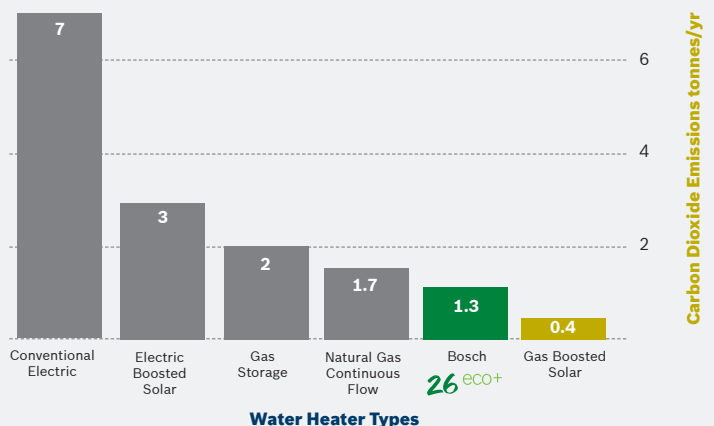


Greenhouse Gas Emissions

A conventional electric hot water system produces seven tonnes of carbon dioxide emissions per year, so switching to a Bosch 26^{eco+} gas hot water system is equivalent to taking one and a half cars off the road for an entire year! ^

^Carbon emissions based on average Victorian consumption. Averages may vary in other regions. Information obtained from Sustainability Victoria and the Australian Greenhouse Office.

tonnes/yr for various water heater types.



Note: Diagrams are for illustration purposes only.

Bosch External HydroPower



Peace of mind – Enjoy the convenience of a hot water system that needs no power to operate!

Bosch External HydroPower

The External HydroPower range conveniently provides continuous hot water without a power point or a standing pilot light. The principle for this revolutionary ignition system is to create a supremely efficient appliance that is simple and easy to install.



Bosch 10H



Bosch 13H



Bosch 16H

What is Bosch HydroPower?

Bosch HydroPower systems use the energy created by water flow to ignite the burner and begin the heating process. The system only ignites when a hot water tap is opened. Once the hot water tap is closed, the system turns itself off. The principle for this revolutionary ignition system is to create a supremely efficient appliance that is simple and easy to install.

External HydroPower models are available in 10, 13 and 16 litre per minute flow rates and are available in Natural or LP gas.

Colder Climates

An exogel valve is recommended for areas that drop to 0°C for short periods. In areas prone to extended periods of frost and sub-zero temperatures, only Internal Compact models, external Highflow models and 32 Series models are suitable.

Features & Benefits:

- HydroPower ignition
- Continuous hot water
- Environmentally friendly
- Constant, reliable source of hot water
- Energy efficient
- External installation (internal models available, see page 14)
- Easy installation
- 2 year parts and labour and 10 year heat exchanger warranty (part only)

Specifications

	Model		
	Bosch 10H	Bosch 13H	Bosch 16H
Part Number	TF250-8G	TF325-8G	TF400-8G
Installation	External	External	External
Ignition	Hydro	Hydro	Hydro
L/min (25°C rise)	10	13	16
No. of bathrooms	1	1	1-2
Min. inlet water pressure	30 kPa	40 kPa	50 kPa
Max. inlet water pressure	800 kPa	800 kPa	800 kPa
Mj/H	79	104	130
Star Rating	5.1	4.6	5.0
Min. Flow (L/min)	3.5	3.5	3.5
Min. constant water pressure for Max. flow (kPa)	60	100	130
Gas Type	NG/LPG	NG/LPG	NG/LPG
Unit Height (mm)	845	845	936
Unit Width (mm)	405	405	460
Unit Depth (mm)	265	265	265
Carton Weight (Kg)	21	22	25
Domestic Warranty			
Parts and Labour	2 Years	2 Years	2 Years
Heat Exchanger (part only)	10 Years	10 Years	10 Years
Pipe Connection Size			
Natural gas (NG)	20 mm (3/4")	20 mm (3/4")	20 mm (3/4")
LP gas	15 mm (1/2")	15 mm (1/2")	15 mm (1/2")
Cold Water	15 mm (1/2")	15 mm (1/2")	15 mm (1/2")
Hot Water	15 mm (1/2")	15 mm (1/2")	15 mm (1/2")

Bosch Internal Compact



For homes where external installation is not possible, the Bosch range of Internal Compact water heaters have been designed specifically to fit in places where space is a premium.



Bosch Ci10



Bosch Ci13



Bosch Ci16

The new Bosch Internal Compact is an energy efficient, wall-hung appliance which provides continuous hot water without a power point or a standing pilot light.

Internal Compact unit's offer flow rate capacities of 10, 13 and 16 litres per minute and is available in Natural or LP Gas.

The Bosch Internal Compact range is an ideal replacement for existing internal hot water systems.

Flueing (for Internal Compact models)*

Flue Kits to suit Internal Compact appliances,
 > 100mm to suit internal Ci10
 > 125mm to suit internal Ci13 & Ci16

*Available from Plumbing Supply Stores

Features & Benefits:

- > Automatic Ignition
- > Internal Installation (flueing required) making it perfect for frost prone areas
- > Improved safety features to provide reassurance for your family
- > Environmentally friendly
- > Flexible water connections for easy installation
- > Small, compact and attractive design making it ideal for small homes where space is limited
- > Lower flow rate available which allows water to be heated when only a small amount of water is being consumed
- > Digital temperature display and user friendly controls
- > 2 year parts and labour and 10 year heat exchanger warranty (part only)

Specifications

	Model		
	Bosch Ci10	Bosch Ci13	Bosch Ci16
Part Number	GWH10-2G	GWH13-2G	GWH16-2G
Installation	Internal	Internal	Internal
Ignition	Automatic	Automatic	Automatic
L/min (25°C rise)	10	13	16
No. of bathrooms	1	1	1-2
Min. inlet water pressure	50 kPa	50 kPa	50 kPa
Max. inlet water pressure	1000 kPa	1000 kPa	1000 kPa
Mj/H	79	100 NG/97 LP	127
Star Rating	5.3	4.5	4.6
Min. Flow (L/min)	2.5	2.5	2.5
Min. constant water pressure for Max. flow (kPa)	100	140	170
Gas Type	NG/LPG	NG/LPG	NG/LPG
Unit Height (mm)	580	655	655
Unit Width (mm)	310	350	425
Unit Depth (mm)	220	220	220
Dry Weight (Kg)	10.2	11.8	13.65
Flue Pipe Sizes (mm)	100	125	125
Domestic Warranty			
Parts and Labour	2 Years	2 Years	2 Years
Heat Exchanger (part only)	10 Years	10 Years	10 Years
Pipe Connection Size			
Natural gas (NG)	20 mm (3/4")	20 mm (3/4")	20 mm (3/4")
LP gas	15 mm (1/2")	15 mm (1/2")	15 mm (1/2")
Cold Water	15 mm (1/2")	15 mm (1/2")	15 mm (1/2")
Hot Water	15 mm (1/2")	15 mm (1/2")	15 mm (1/2")

Bosch Pilot Ignition

Pilot models offer the perfect solution for the budget conscious consumer without compromising product quality or performance. A standing pilot light is maintained throughout the life of the appliance.



Bosch 10P



Bosch 13P



Bosch 16P

What is Bosch Pilot Ignition?

The Pilot Ignition range provides continuous hot water at the turn of a tap, without the need for a power point. Only heating water when required, the range is extremely economical to run.

Bosch Pilot Ignition systems are available in 10, 13 and 16 litre per minute flow rates (10 litre model available in Natural gas (NG) or LP gas. 13 & 16 litre models available in NG only).

Colder Climates

An exogel valve is recommended for areas that drop to 0°C for short periods.

In areas prone to extended periods of frost and sub-zero temperatures, only Internal Compact models, external Highflow models, the 26^{eco+}, 32 Series models and the 32C* are suitable.

* Please refer to the Bosch Commercial Brochure for more information on this product.

Features & Benefits:

- Economical running costs
- Continuous hot water
- Environmentally friendly
- Compact design – smaller than traditional storage water heaters
- External installation
- 2 year parts and labour and 10 year heat exchanger warranty (part only)

Specifications

	Model		
	Bosch 10P	Bosch 13P	Bosch 16P
Part Number	TF250	TF325	TF400
Installation	External	External	External
Ignition	Pilot	Pilot	Pilot
L/min (25°C rise)	10	13	16
No. of bathrooms	1	1	1-2
Min. inlet water pressure	30 kPa	50 kPa	50 kPa
Max. inlet water pressure	1200 kPa	1200 kPa	1200 kPa
Mj/H	82	100	130
Star Rating	4.6	3.9	4.3
Min. Flow (L/min)	5.0	2.0	2.0
Min. constant water pressure for Max. flow (kPa)	90 (NG) 55 (LPG)	100	150
Gas Type	NG/LPG	NG	NG
Unit Height (mm)	845	845	936
Unit Width (mm)	405	405	460
Unit Depth (mm)	265	265	265
Carton Weight (Kg)	21	22	24
Domestic Warranty			
Parts and Labour	2 Years	2 Years	2 Years
Heat Exchanger (part only)	10 Years	10 Years	10 Years
Pipe Connection Size			
Natural gas (NG)	20 mm (3/4")	20 mm (3/4")	20 mm (3/4")
LP gas	15 mm (1/2")	N/A	N/A
Cold Water	15 mm (1/2")	15 mm (1/2")	15 mm (1/2")
Hot Water	15 mm (1/2")	15 mm (1/2")	15 mm (1/2")

Bosch Large Homes

The Bosch 32 Series gives you flexibility and reliability when there is a demand for large volumes of hot water. The 32 Series has all your applications covered and is perfect for 3+ bathroom homes.



Bosch 32



Bosch 32Q

Bosch 32 / 32Q

- Delivers 32 litres of hot water per minute
- Natural or LP Gas
- Internal* and external installations
- 10 year warranty on heat exchanger (part only)*
- 3 year warranty on full parts and labour*

The Bosch 32Q has all the features of the Bosch 32, PLUS...

- When used on a ring main, an internal pump circulates water around your house to give you hot water at your taps when you need it.
- Main Remote Controller included as standard.

*Internal 32 Series requires flueing

*Domestic applications only. Bosch also offer a Commercial Condensing appliance (the Bosch 32C). Please refer to the Bosch Commercial Brochure for more information on this product.

Features & Benefits:

- Simple installation
- Internal* and External Installation
- Space-saving
- Reduced running costs as you only heat the water as you need it
- Continuous flow technology so you never run out of hot water
- Precise temperature control aids your family to bathe safely

Specifications

	Model	
	Bosch 32	Bosch 32Q
Part Number	KM3211WH	KM3211WHQ
L/min (25°C Rise)	32	32
Gas Input-Low	25 MJ/H	25 MJ/H
Gas Input-High	250 MJ/H	250 MJ/H
Star Rating	4.8	4.8
Antifrost	Standard	Standard
Type	Internal* or External	Internal* or External
Installation	Wall Hung	Wall Hung
Air Supply / Exhaust	Power Flued	Power Flued
Gas Type	NG / LP	NG / LP
Min. pressure for max flow	200 kPa	200 kPa
Max. allowable inlet water pressure	900 kPa	900 kPa
Min. flow rate (L/min)	3.5	3.5
Unit Height (mm)	615	615
Unit Width (mm)	464	464
Unit Depth (mm)	240	240
Unit Weight (KG)	29	32
Power Supply	240 VAC	240 VAC
Power Consumption	NG - 100W / LP - 115W	NG - 135W / LP - 150W
Domestic Warranty	Domestic - 3 year parts and labour, 10 years heat exchanger (part only) Commercial - 2 year parts and labour, 5 year heat exchanger (part only)	
Pipe Connection Size		
Water Inlet	20 mm (3/4")	20 mm (3/4")
Hot Water Outlet	20 mm (3/4")	20 mm (3/4")
Hot Water Return	-	15 mm (1/2")
Gas Inlet	20 mm (3/4")	20 mm (3/4")

Bosch Large Homes Accessories



The Bosch 32 Series is most effective when coupled with optional temperature controllers.

Main Remote Controller

(RCM3211)



- Time display
- Accurate temperature setting
- Circulation mode (32Q only)
- Controller is standard with 32Q model

Sub Controller

(RCS3211)



- Up to 3 temperature controllers can be fitted to the 32 and 32Q, i.e. One Main Remote Controller and two Sub Controllers

32 & 32Q Vent Cap

(KMVC-100)



- For external applications only

Standard Vertical and Horizontal Flue Kit
(for internal installations)
FKV32LTR – Vertical
FKH32LTR – Horizontal

Bosch Accessories



Get the most out of your Bosch hot water system by teaming it with one of our accessories. The extensive Bosch range of optional accessories not only provide peace of mind but can also add to the appearance of your home.



Lockable Recess Box

RBHF50L (17e & 21e)
RBHF26L (26e)

Ideal for new homes, Bosch lockable recess boxes allow Highflow systems to be completely recessed, saving space and securing your investment. The lockable recess box can also be painted to suit the appearance of your home.

Brick opening dimensions* (mm)

RBHF50L & RBHF26L
Height: 930
Width: 345
Depth: 145
*Minimum dimensions



Fully Enclosed Recess Box

FERB70

Bosch now offers a fully enclosed recess box to completely conceal your Bosch Highflow unit. The fully enclosed recess box can also be painted to suit the appearance of your home.

Brick opening dimensions* (mm)

Height: 930
Width: 365
Depth: 175
*Minimum dimensions



Pipe Cover

YPHC304

A pipe cover* can be easily attached to your Highflow hot water system. It conceals the pipes leading into the appliance, giving a neat and smooth finish to the installation. This also allows the power point to be sheltered beneath the cover.

* Available for non-recessed Highflow models only.

Dimensions (mm)

Height: 410
Width: 342



Security Bracket

BLB70

Bosch now offers a security bracket* made from 2mm thick galvanised plate steel which attaches to the wall and the hot water system to secure your investment. Padlock is not included.

* Available for all products in the Highflow range and the 26^{eco+} only.

Dimensions (mm)

Height: 60
Width: 175
Depth: 35

Exogel Valve

H707060151

When installing an external Pilot or HydroPower system, an exogel valve* can be installed to help minimise the possibility of damage to the appliance caused by freezing water.

*Only available for the external Pilot and HydroPower appliances installed in areas where temperatures fall to 0°C for **short periods**. (Exogel valve purchased separately).

Heat Shield

9708061400.ZG1

For Bosch external Pilot and HydroPower systems that are installed on combustible surfaces, a heat shield protects your home from hot flue gases.

Please refer to page 10 for accessories for the 26^{eco+}.

Bosch Hot Water System Selection Guide

Average water temperatures vary greatly across Australia. The ambient water temperature of your region will influence your choice of hot water system, as will the number of hot water outlets in your home. To help you select the most appropriate water heater for your region, please refer to our two step guide below.

Step 1. What climate zone do you live in?



Step 2. Now choose your system according to the climate zone you live in, and the number of bathrooms you have.

No. of bathrooms	Product Name	Climate zone		
		COLD	MODERATE	TROPICAL
1	HydroPower	16	10 or 13	10 or 13
	Internal Compact	16	10 or 13	10 or 13
	Pilot	16	10 or 13	10 or 13
	Electronic Highflow	17	17	17
2	HydroPower	-	16	16
	Internal Compact	-	16	16
	Pilot	-	16	16
	Electronic Highflow	21 or 26	17 or 21	17 or 21
	Condensing	26 ^{eco+}	-	-
2+	Electronic Highflow	26	26	26
	Condensing	26 ^{eco+}	26 ^{eco+}	26 ^{eco+}
3+	Commercial Series	32 or 32Q	32 or 32Q	32 or 32Q
	Condensing	32C*	32C*	32C*

Guide only, circumstances may vary. Please consult your retailer for specialist advice in your area.

* Refer to the Bosch Commercial Brochure for information on the Bosch 32C appliance.

Bosch Warranty and Service Information

For added peace of mind, all Bosch hot water systems come with a comprehensive warranty together with an extensive service agent network to ensure your water heater is installed and serviced by a qualified professional.

Servicing

To ensure your appliance's quality and performance is optimised, Bosch recommends having your unit serviced no less than once every 2 years. Having your product inspected and cleaned periodically by an authorised Bosch service technician not only ensures peak operation but also extends the life of the appliance.

For contact details of your nearest service agent within Australia please phone our Customer Contact Centre on 1300 30 70 37.

Warranty

The Highflow range and the 26^{eco+} are covered by a comprehensive 3 year parts and labour warranty. The External HydroPower, Internal Compact and Pilot ranges are covered for 2 years against manufacturing defects.

Additionally, Bosch guarantees the continued quality of our range by providing consumers with a 10 year (part only) warranty on the heat exchanger.

The 32 Series (including the 32Q) and the 32C appliance are covered by a 3 year parts and labour warranty for domestic applications and a 2 year parts and labour warranty in commercial settings. In addition, for commercial applications there is a 5 year (part only) warranty on the heat exchanger.

Our extensive service agent network and support staff are available across Australia to assist consumers with any queries.